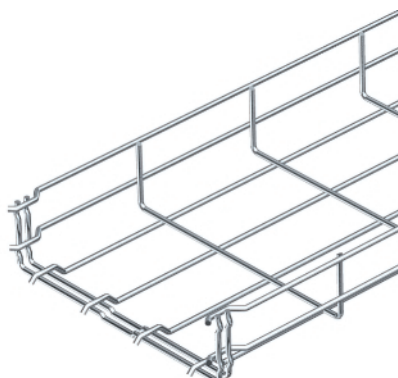


Mesh cable tray GR-Magic®



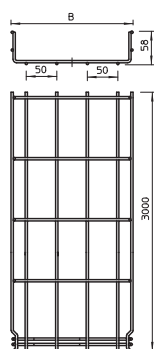
Mesh cable tray with shaped connector of side height 55 mm. Magnetic shield insulation without lid 15 dB, with lid 25 dB. You can find detailed information regarding the UL classification in the respective certification.

No additional connection components are required for the mesh cable tray, it is simply interlocked. The grid width is 50 x 100 mm (exception: GRM 55/50 = 20 x 100 mm).

Type	Width mm	Wire Ø mm	Pack. m	Weight kg/100 m	Item No.
GRM 55 50 FT	50	3,9	3	66,470	6001415
GRM 55 100 FT	100	3,9	3	75,667	6001416
GRM 55 150 FT	150	3,9	3	90,000	6001418
GRM 55 200 FT	200	3,9	3	104,667	6001420
GRM 55 200 4.8FT	200	4,8	3	154,300	6001421
GRM 55 300 FT	300	4,8	3	198,800	6001424
GRM 55 400 FT	400	4,8	3	244,300	6001428
GRM 55 500 FT	500	4,8	3	287,700	6001432
GRM 55 600 FT	600	4,8	3	331,600	6001436

St Steel
FT Hot-dip galvanised

Dimensions

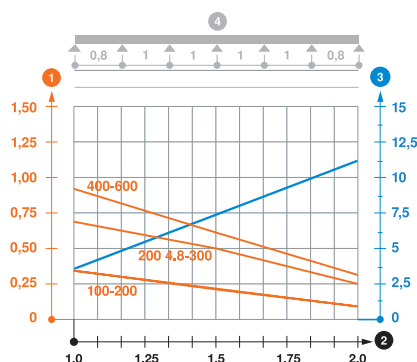


Type	Length mm	Dimen- sion B mm	Wire Ø mm	Useful cross- section cm ²
GRM 55 50 FT	3000	50	3,9	16
GRM 55 100 FT	3000	100	3,9	40
GRM 55 150 FT	3000	150	3,9	63
GRM 55 200 FT	3000	200	3,9	87
GRM 55 200 4.8FT	3000	200	4,8	87
GRM 55 300 FT	3000	300	4,8	129
GRM 55 400 FT	3000	400	4,8	175
GRM 55 500 FT	3000	500	4,8	220
GRM 55 600 FT	3000	600	4,8	265

Load

Type	1.0 m kN/m	1.5 m kN/m	2.0 m kN/m	2.5 m kN/m
GRM 55 50 FT	0,35	0,2	0,1	0,1
GRM 55 100 FT	0,35	0,2	0,1	0,1
GRM 55 150 FT	0,35	0,2	0,1	0,1
GRM 55 200 FT	0,35	0,2	0,1	0,1
GRM 55 200 4.8FT	0,7	0,5	0,25	0,2
GRM 55 300 FT	0,7	0,5	0,25	0,2
GRM 55 400 FT	0,9	0,6	0,3	0,25
GRM 55 500 FT	0,9	0,6	0,3	0,25
GRM 55 600 FT	0,9	0,6	0,3	0,25

Load diagram, GR-Magic mesh cable tray, type GRM 55



- 1 Permitted cable tray/ladder load in kN/m without man load
- 2 Support width in m
- 3 Rail bend in mm at permitted kN/m
- 4 Load scheme during testing
- Load curve with cable tray/ladder width in mm
- Strut bend curve according to support width