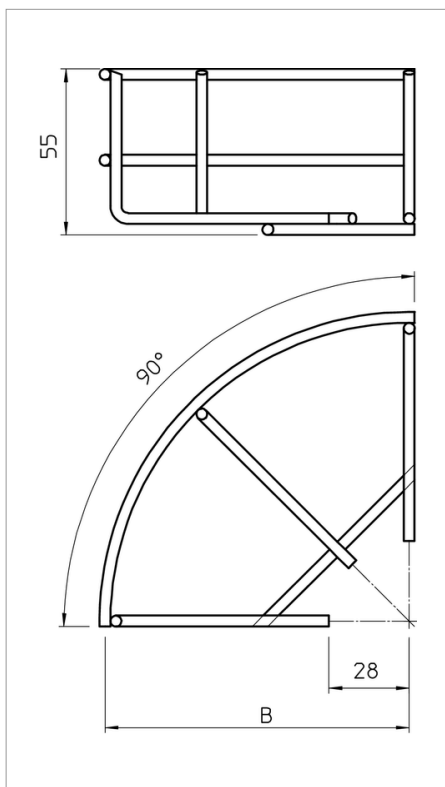
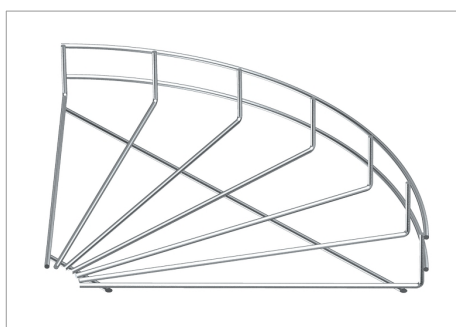


Technical data sheet 90° mesh cable tray bend



90° bend, horizontal, for all mesh cable trays of 55 mm side height.

Type	Width mm	Wire diameter mm	Pack. pcs	Weight kg/100 pcs.	Art-No.
GRB 90 510 G	100	3.9		7.000	6001920
GRB 90 515 G	150	3.9		14.400	6001998
GRB 90 520 G	200	3.9		18.400	6001939
GRB 90 530 G	300	4.4		41.700	6001947
GRB 90 540 G	400	4.8		65.500	6001955
GRB 90 550 G	500	4.8		95.000	6001963
GRB 90 560 G	600	4.8		114.000	6001971

St Steel

G Electro-galvanised

/pc.

