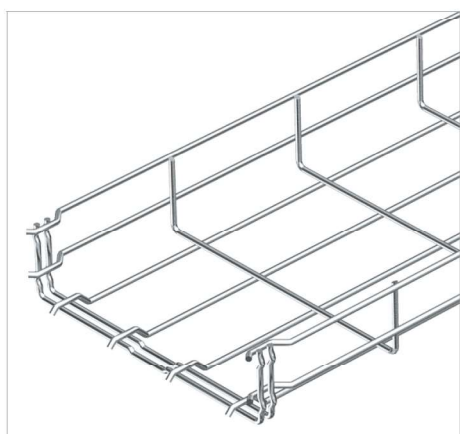


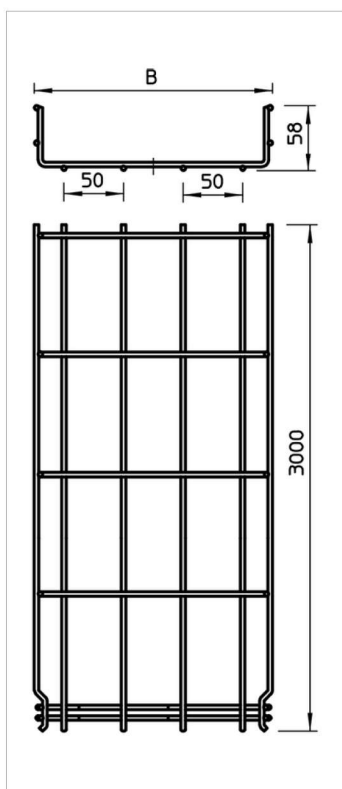
# Technical data sheet

## Mesh cable tray GR-Magic®



Mesh cable tray with shaped connector of side height 55 mm.

No additional connection components are required for the mesh cable tray, it is simply interlocked. The grid width is 50 x 100 mm (exception: GRM 55/50 = 20 x 100 mm).



Type	Width mm	Wire diameter mm	Length mm	Usable cross- section cm <sup>2</sup>	Weight kg/100 m	Art.-No.
GRM 55 50 G	50	3.9	3000	16	67.000	6001441
GRM 55 100 G	100	3.9	3000	40	72.400	6001442
GRM 55 150 G	150	3.9	3000	63	85.800	6001444
GRM 55 200 G	200	3.9	3000	87	100.000	6001446
GRM 55 200 4.8 G	200	4.8	3000	87	151.000	6001447
GRM 55 300 G	300	4.8	3000	129	194.500	6001448
GRM 55 400 G	400	4.8	3000	175	236.700	6001450
GRM 55 500 G	500	4.8	3000	220	279.000	6001452
GRM 55 600 G	600	4.8	3000	265	321.200	6001454

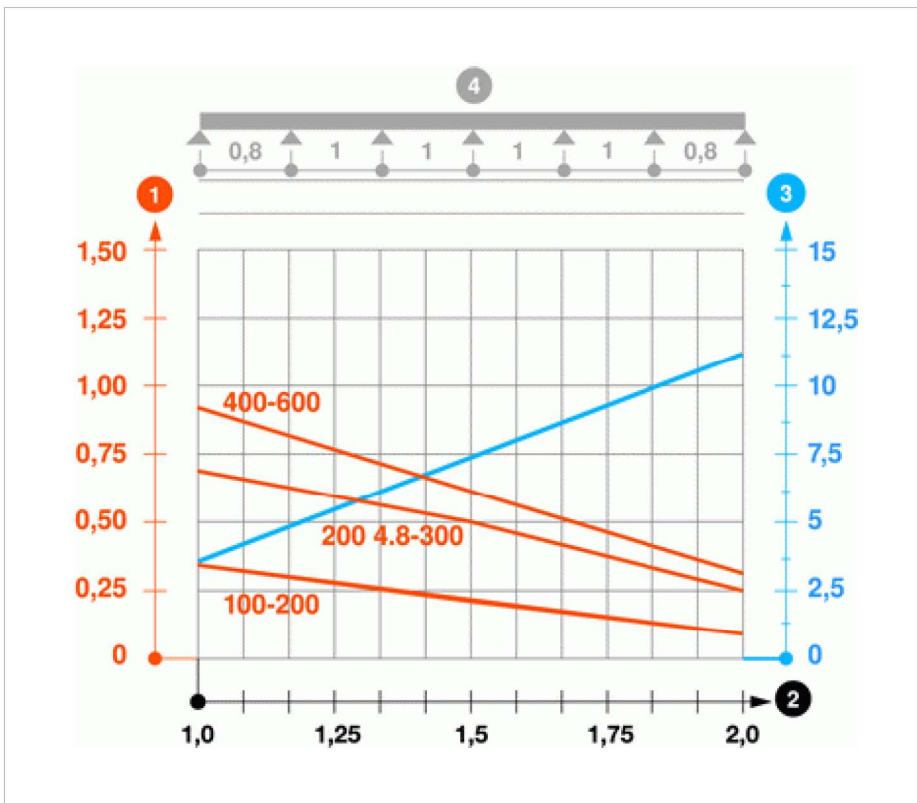
**St** Steel

**G** Electro-galvanised

/m



# Load diagram



1 Approval cable tray/ladder load in kN/m without man load

2 Support width in m

3 Rail bend in mm at approved kN/m

4 Load scheme during testing

— Load curve with cable tray/ladder width in mm

— Strut bend curve according to support width