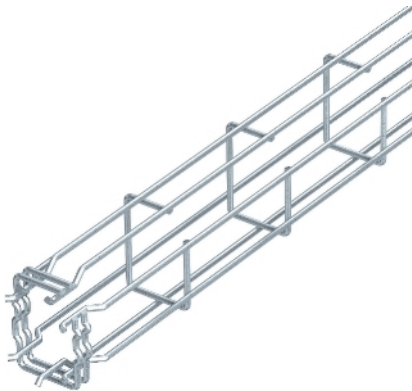


## G mesh cable tray Magic, side height 150 mm G



Magnetic shield insulation 15 dB.

G-shaped mesh cable tray made of spot-welded steel wire with different side heights and widths.

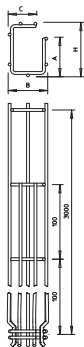
Direct wall or ceiling mounting possible. Load capacity details regarding the different mounting methods are available upon request.

Type	Side height mm	Wire Ø mm	Pack. m	Weight kg/100 m	Item No.
G-GRM 150 100 G	150	3,9	3	128,000	6005544
G-GRM 150 100 FT	150	3,9	3	130,900	6005529
G-GRM 150 100 A2	150	3,9	3	128,000	6005559
G-GRM 150 100 A4	150	3,9	3	128,000	6005574

**St** Steel **V2A** Stainless steel, A2 **V4A** Stainless steel, A4

**G** Electrogalvanised **FT** Hot-dip galvanised

### Dimensions



Type	Length mm	Dimen- sion B mm	Dimen- sion H mm	Dimen- sion C mm	Di- men- sion A mm	Wire Ø mm
G-GRM 150 100 G	3000	100	155	70	120	3,9
G-GRM 150 100 FT	3000	100	155	70	120	3,9
G-GRM 150 100 A2	3000	100	155	70	120	
G-GRM 150 100 A4	3000	100	155	70	120	

### Load

#### G-GRM 150/100

	Support spacing [m]		
	Load [kN/m]		
<b>Fastening variant</b>	<b>1</b>	<b>2</b>	<b>2,5</b>
<b>Bracket MWAG 12-11</b>	0,6	0,35	0,3
<b>Wall fastening K12 1818</b>	0,25	0,15	0,1
<b>Ceiling fastening K12 1818</b>	0,25	0,15	0,1