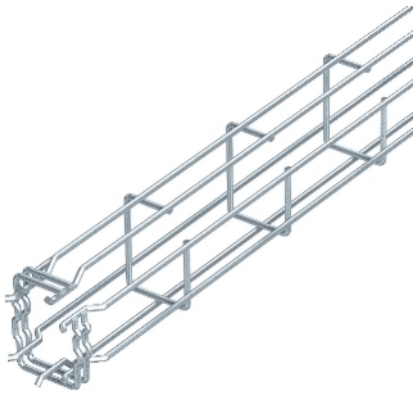


G mesh cable tray Magic, side height 50 mm G



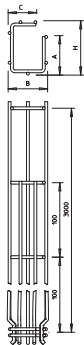
G-shaped mesh cable tray made of spot-welded steel wire with different side heights and widths.
Direct wall or ceiling mounting possible. Load capacity details regarding the different mounting methods are available upon request.
Magnetic shield insulation 15 dB.

Type	Side height mm	Wire Ø mm	Pack. m	Weight kg/100 m	Item No.
G-GRM 50 50 G	50	3,9	3	67,100	6005535
G-GRM 50 50 FT	50	3,9	3	68,600	6005520
G-GRM 50 50 A2	50	3,9	3	67,100	6005550
G-GRM 50 50 A4	50	3,9	3	67,100	6005565

St Steel **V2A** Stainless steel, A2 **V4A** Stainless steel, A4

G Electrogalvanised **FT** Hot-dip galvanised

Dimensions



Type	Length mm	Dimension B mm	Dimension H mm	Dimension C mm	Dimension A mm	Wire Ø mm
G-GRM 50 50 G	3000	55	55	33	40	3,9
G-GRM 50 50 FT	3000	55	55	33	40	3,9
G-GRM 50 50 A2	3000	55	55	33	40	
G-GRM 50 50 A4	3000	55	55	33	40	

Load

G-GRM 50/50

Fastening variant	Support spacing [m]		
	Load [kN/m]		
Wall fastening K12 1818	1	1,5	2
Ceiling fastening K12 1818	0,2	0,15	0,1
	0,25	0,2	0,10
			0,05