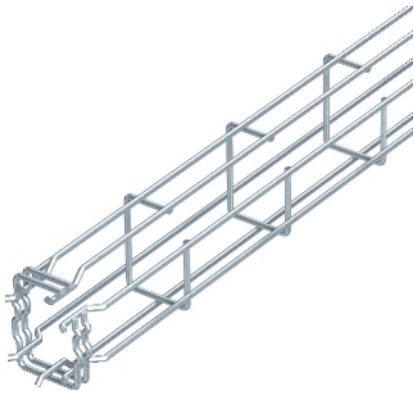


G mesh cable tray Magic, side height 75 mm G



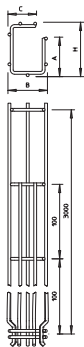
G-shaped mesh cable tray made of spot-welded steel wire with different side heights and widths.
Direct wall or ceiling mounting possible. Load capacity details regarding the different mounting methods are available upon request.
Magnetic shield insulation 15 dB.

Type	Side height mm	Wire Ø mm	Pack. m	Weight kg/100 m	Item No.
G-GRM 75 50 G	75	3,9	3	79,900	6005538
G-GRM 75 50 FT	75	3,9	3	81,700	6005523
G-GRM 75 50 A2	75	3,9	3	79,900	6005553
G-GRM 75 50 A4	75	3,9	3	79,900	6005568

St Steel **V2A** Stainless steel, A2 **V4A** Stainless steel, A4

G Electrogalvanised **FT** Hot-dip galvanised

Dimensions



Type	Length mm	Dimension B mm	Dimension H mm	Dimension C mm	Dimension A mm	Wire Ø mm
G-GRM 75 50 G	3000	53	73	40	53	3,9
G-GRM 75 50 FT	3000	53	73	40	53	3,9
G-GRM 75 50 A2	3000	53	73	40	53	
G-GRM 75 50 A4	3000	53	73	40	53	

Load

G-GRM 75/50

Fastening variant	Support spacing [m]		
	1	2	2,5
Wall fastening K12 1818	0,3	0,2	0,15
Ceiling fastening K12 1818	0,35	0,2	0,15
Ceiling fastening K12 1818	0,35	0,2	0,15