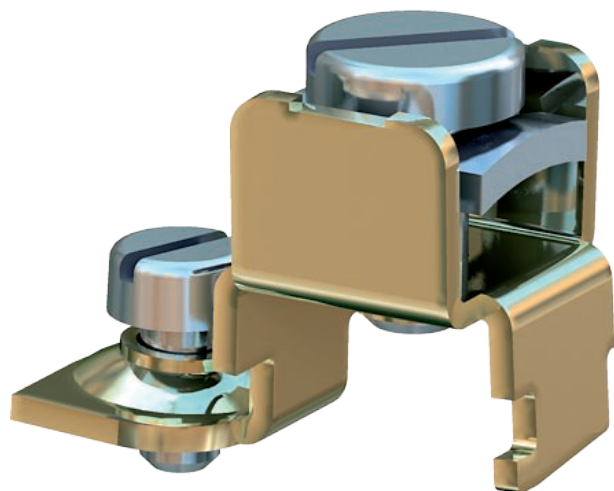


# Technical data sheet

## Protective conductor connection bracket

Item no. 6288704



Protective conductor connection bracket to include steel and aluminium device installation trunking, service poles and system components of underfloor trunking systems in the protective measure.  
Clamping area: 2 x 1.5–4 mm<sup>2</sup>

<b>St</b>	Steel
<b>G</b>	Electrogalvanised

Additional product text, instruction	If there is a fault, metallic parts will carry voltage. Tighten the contact screw with at least 1.2 Nm or ensure the contact with mechanical work.
--------------------------------------	--

### Master data

Item no.	6288704
Type	8AWR
Description 1	Earth conductor clamp
Material	Steel
Material symbol	St
Surface	Electrogalvanised
Surface to DIN	DIN EN 12329
Surface symbol	G
Smallest sales unit (VG)	10,00 Piece
Weight	0,61 kg/100 pc.

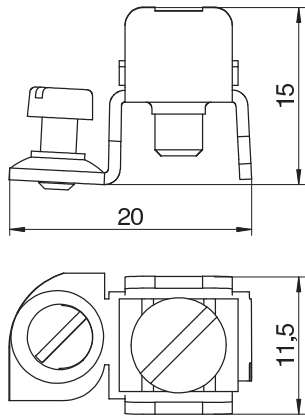
# Technical data sheet

## Protective conductor connection bracket

Item no. 6288704



### Technical data



Version

Terminal with wire