

## Cable Trunking / Pre Galvanised / Accessories / Socket Plates / Page 1 of 3

Turnbuckle Single Outlet Plate



Turnbuckle Twin Outlet Plate



### British Standard:

BS EN 50085-1:2005  
BS EN 50085-2-1:2006  
VDE Testing and Certification Institute  
Test Certificate No. 40040200\*

### Material Specification:

British Standard: BS EN 10346:2015.

### Finish:

Pre Galvanised

### Ordering Information:

- Please refer to the following pages or alternatively visit our website below:

<http://www.trenchltd.com>

### Product Information: Standard

- Socket plates up to 150mm wide are supplied with fitted turnbuckles which are compatible with a No 2 crosshead screwdriver
- Socket plates 200mm and above are supplied as screwfix
- Product is trunking width dependant

### Product Information: Tamperproof

- Screws M5x8 T25 Resistorx

### Packing Detail: Speedlock

- 1 x socket plate c/w fitted turnbuckles (4)

### Packing Detail: Screwfix

- 1 x socket plate c/w loose fixings (4x M5 Black Spring Clips/4xM5x10 pozi pan screws)

### Packing Detail: Tamperproof

- 1 x socket plate c/w loose fixings (4x M5 Black Spring Clips/4xM5x8 T25 resistorx screws)

### Other Options Available:

- Vertical mounting
- Powder Coated
- IP4X
- Offset socket outlets
- Screwfix Type
- Alternative Width/Material Thickness

\* See Technical Data Sheet / Cable Trunking / Pre Galvanised / Lengths / Test Results for Test Data

## Cable Trunking / Pre Galvanised / Accessories / Socket Plates / Ordering Information / Page 2 of 3

### Vertically Mounted Trunking

Use the codes in the table on page 3 suffixed with -VSP. If you require a 100mm wide single socket plate to suit vertically mounted trunking the correct code would be SA4VSP.

Please note not all socket plates can be manufactured with a vertical orientation due to width restrictions particularly with twin sockets and compartmented trunking.

Please call our sales team on 0121 544 7011 for more details.

### Compartmented Trunking

Horizontal socket plates can be fitted to compartmented trunking subject to a minimum compartment width. If this is not taken into consideration at the point of ordering you may have to "nib" the divider out on site as the divider will sit where the back of the socket needs to sit inside the trunking body. Please note the recommended minimum width per compartment to avoid this is 75mm.

### Tamperproof Accessories

Use the ordering information in the table on page 3 alongside the ordering information above and suffix the code with **-SEC**

For example if you require a 100mm wide single socket plate the correct code would be **SA4HSP-SEC**.

### Screwfix Type

As standard socket plates up to and including 150mm are supplied with turnbuckles, however, should you require them to be screwfix simply suffix the code with **-screwfix type**. For example if you require a 100mm Socket Plate Horizontal to suit screwfix Trunking 100mm wide x 50mm deep the correct code would be **SA4HTP-screwfix type**.

### Powder Coated

Please ensure that when requesting a quotation for powder coated products that you have the correct quantities, RAL number and finish (i.e. matt or gloss) in order for us to quote accordingly.

### IP4X

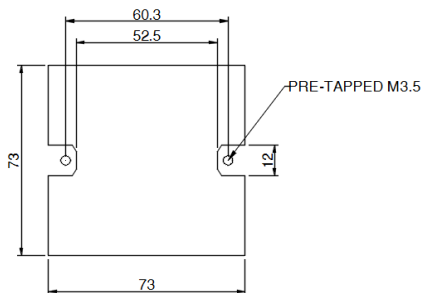
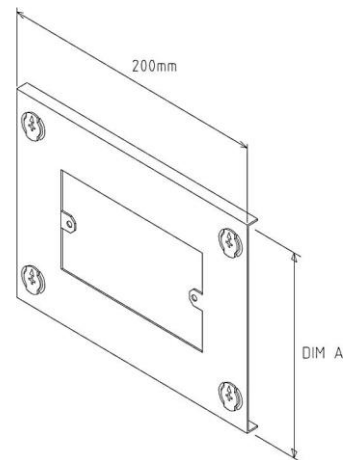
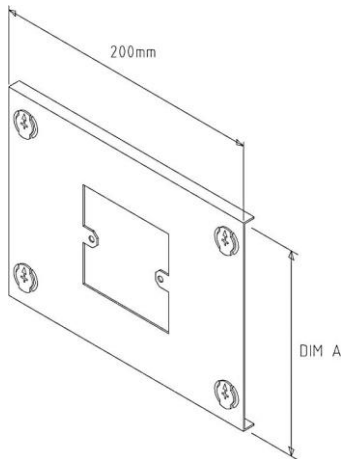
To achieve IP4X add to each join 1 x Lid Fix Bar - please follow the link below for ordering instructions.

<http://www.trenchltd.com/cable-trunking/ip4x-accessories/>

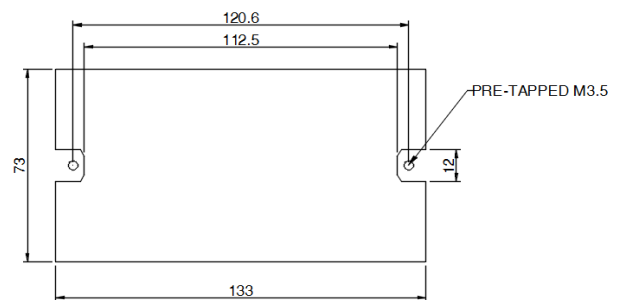
## Cable Trunking / Pre Galvanised / Accessories / Socket Plates / Dimensions & Weights / Page 3 of 3

| Product Code Standard | Dim A (mm) To Suit Width | Outlet | Dim C (mm) Length of Plate | Dim D (mm) | Single Comp Weight (kg) | Twin Comp Weight (kg) | Three Comp Weight (kg) |
|-----------------------|--------------------------|--------|----------------------------|------------|-------------------------|-----------------------|------------------------|
| SA4HSP                | 100                      | Single | 200                        | N/A        | 0.16                    | N/A                   | N/A                    |
| SA6HSP                | 150                      | Single | 200                        | N/A        | 0.23                    | N/A                   | N/A                    |
| SA8HSP*               | 200                      | Single | 200                        | N/A        | 0.37                    | N/A                   | N/A                    |
| SA9HSP*               | 225                      | Single | 200                        | N/A        | 0.42                    | N/A                   | N/A                    |
| SA12HSP*              | 300                      | Single | 200                        | N/A        | 0.55                    | N/A                   | N/A                    |
| SA4HTP                | 100                      | Twin   | 200                        | N/A        | 0.13                    | N/A                   | N/A                    |
| SA6HTP                | 150                      | Twin   | 200                        | N/A        | 0.20                    | N/A                   | N/A                    |
| SA8HTP*               | 200                      | Twin   | 200                        | N/A        | 0.33                    | N/A                   | N/A                    |
| SA9HTP*               | 225                      | Twin   | 200                        | N/A        | 0.38                    | N/A                   | N/A                    |
| SA12HTP*              | 300                      | Twin   | 200                        | N/A        | 0.51                    | N/A                   | N/A                    |

\* Denotes Screwfix Type. Approximate weights shown are a nominal value due to material thickness and tolerance and include fixings. See page 2 for Vertical Mounting/Powder Coating/Tamperproof & IP4X Information.



Single Outlet



Twin Outlet