

## Cable Trunking / Pre Galvanised / Accessories / Hanger / Page 1 of 3



### British Standard:

BS EN 50085-1:2005  
BS EN 50085-2-1:2006  
VDE Testing and Certification Institute  
Test Certificate No. 40040200\*

### Material Specification:

British Standard: BS EN 10346:2015.

### Finish:

Pre Galvanised

### Ordering Information:

- Please refer to the following pages or alternatively visit our website below:

<http://www.trenchltd.com>

### Product Information: Standard

- Hole clearance to suit up to 10mm rod

### Packing Detail:

- 1 x accessory
- 1 x lid
- 2 x roofing nut & bolts
- 2 x washers

### Other Options Available:

- Powder Coated
- Alternative Height/Material Thickness/Hole Options

\* See Technical Data Sheet / Cable Trunking / Pre Galvanised / Lengths / Test Results for Test Data

## Cable Trunking / Pre Galvanised / Accessories / Hanger / Ordering Information / Page 2 of 3

### Standard

**Type A** - for trunking up to and including ST66 150mm wide x 150mm high as standard we supply square type hangers. For example if you require a hanger to suit 100mm wide x 50mm high trunking single/multi compartment the correct code would be **SA44HA**.

Please note Type A & Type B differ in design see page 3 for illustration.

**Type B** - for trunking 200x50mm and above we will supply height specific hangers. For example if you require a hanger to suit 225mm wide x 50mm high trunking single/multi compartment the correct code would be **SA92HA**.

Please note Type A & Type B differ in design see page 3 for illustration.

### Non Standard

Please note if you cannot see the size you require in the table on page 3 please contact our sales office for more information.

### Powder Coated

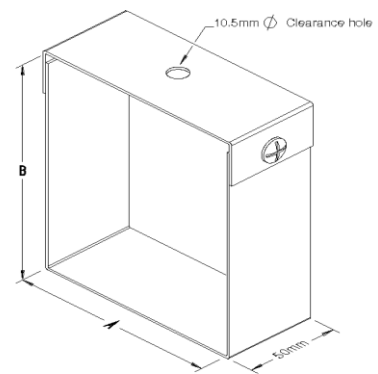
Please ensure that when requesting a quotation for powder coated products that you have the correct quantities, RAL number and finish (i.e. matt or gloss) in order for us to quote accordingly.

Please note product codes for powder coated items are Non-Standard, however, dimensions & weights on page 3 are still applicable.

Product Code Standard	Dim A (mm) Width	Dim B (mm) Height	Dim C (mm)	TYPE	Weight (kg)
SA22HA	60	80	N/A	A	0.21
SA33HA	85	107	N/A	A	0.26
SA44HA	110	132	N/A	A	0.32
SA66HA	157	182	N/A	A	0.44
SA88HA	210	226.5	N/A	B	0.76
SA99HA	235	251.5	N/A	B	0.84
SA1212HA	310	326.5	N/A	B	1.09
SA82HA	210	76.5	N/A	B	0.51
SA83HA	210	101.5	N/A	B	0.55
SA84HA	210	126.5	N/A	B	0.59
SA86HA	210	176.5	N/A	B	0.68
SA92HA	235	76.5	N/A	B	0.55
SA93HA	235	101.5	N/A	B	0.59
SA94HA	235	126.5	N/A	B	0.64
SA96HA	235	176.5	N/A	B	0.72
SA122HA	310	76.5	N/A	B	0.68
SA123HA	310	101.5	N/A	B	0.72
SA124HA	310	126.5	N/A	B	0.76
SA126HA	310	176.5	N/A	B	0.84
SA129HA	310	251.5	N/A	B	0.96

Approximate weights shown are a nominal value due to material thickness and tolerance and includes accessory, lid & fixings where applicable.

Type A



Type B

