

Technical Data Sheet

Cable Tray / Pre Galvanised / Ancilliaries / Overhead Hook Hanger / Page 1 of 4

**British Standard:**

BS EN 61537: 2007

Material Specification:

British Standard: BS EN 10346:2015.

Finish:

Pre Galvanised

Ordering Information:

- Please refer to the following pages or alternatively visit our website below:

<http://www.trenchltd.com>

Product Information:

- To suit tray up to 300mm wide only

Packing Detail:

1 x overhead hook hanger

Other Options Available:

- Powder Coated
- Alternative Width/Height/Material Thickness
- Non Perforated (Plain)

Technical Data Sheet

Cable Tray / Pre Galvanised / Ancillaries / Overhead Hook Hanger / Ordering Information / Page 2 of 4

Powder Coated

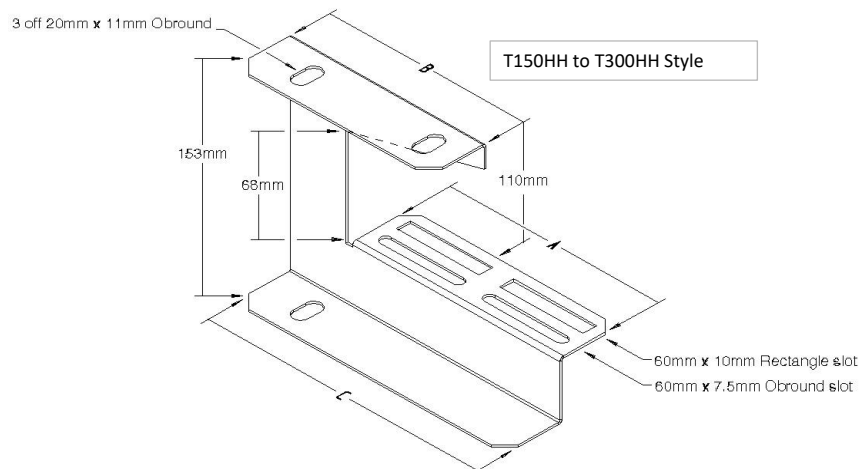
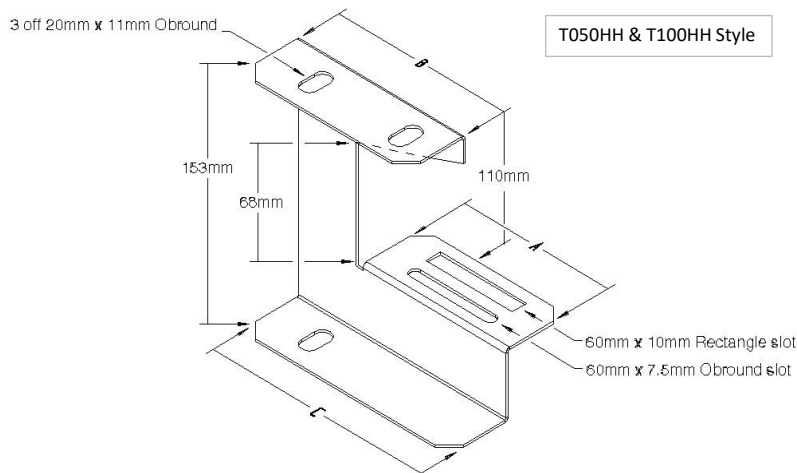
Please ensure that when requesting a quotation for any powder coated products that you have the correct quantities, RAL number and finish (i.e. matt or gloss) in order for us to quote accordingly. Product codes for powder coated items are non-standard, however, dimensions and weights listed in the table on Page 3 are still applicable.

Technical Data Sheet

Cable Tray / Pre Galvanised / Ancilliaries / Overhead Hook Hanger / Dimensions & Weights Table / Page 3 of 4

Product Code	Dim A (mm) To Suit Width	Dim B (mm)	Dim C (mm)	Dim D (mm)	Weight (kg)
T050HH	50	78	95	N/A	0.20
T075HH	75	102	120	N/A	0.25
T100HH	100	115	145	N/A	0.29
T150HH	150	140	195	N/A	0.37
T225HH	225	178	270	N/A	0.50
T300HH	300	215	345	N/A	0.62

Approximate weights shown are a nominal value due to material thickness and tolerance .



Technical Data Sheet

Cable Tray / Pre Galvanised / Ancilliaries / Overhead Hook Hanger / Test Results / Page 4 of 4

