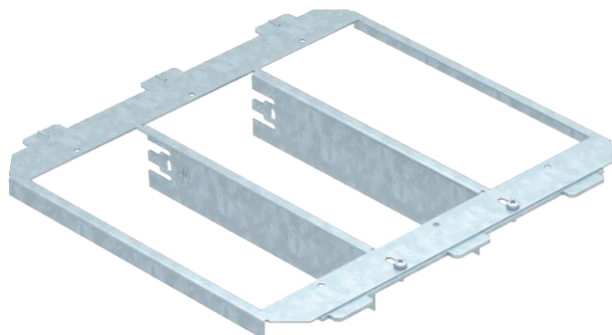


# Technical data sheet

Mounting support, nominal size 9 and R9, for APMT5 cover plates

Item no. 7407756



Mounting support for accepting three APMT5 cover plates, which aid the installation of accessories in installation units of nominal size 9.



|           |                  |
|-----------|------------------|
| <b>St</b> | Steel            |
| <b>FS</b> | Strip galvanised |

## Master data

|                          |                             |
|--------------------------|-----------------------------|
| Item no.                 | 7407756                     |
| Type                     | MT 9R9 AP 5                 |
| Description 1            | Mounting plate              |
| Description 2            | for 9/R9 installation units |
| Material                 | Steel                       |
| Material symbol          | St                          |
| Surface                  | Strip galvanised            |
| Surface to DIN           | DIN EN 10346                |
| Surface symbol           | FS                          |
| Smallest sales unit (VG) | 1,00 Piece                  |
| Weight                   | 25,65 kg/100 pc.            |

## Technical data

