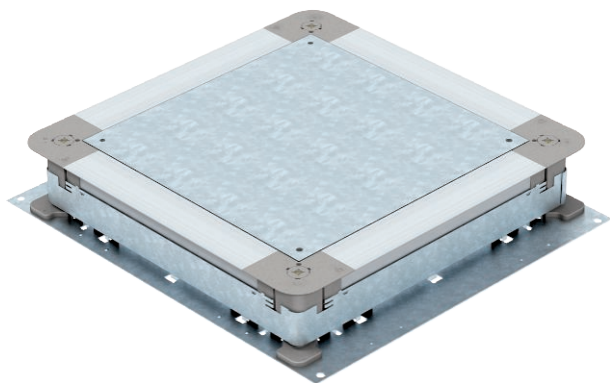


Technical data sheet

UZD250-3 for screed height 70–125 mm

Item no. 7410030



Underfloor junction and branch box for screed-covered underfloor installation ducts with sheet steel side walls. To mount installation units in the mounting lid (to be ordered separately). Height can be infinitely adjusted to the nominal screed height (rapid adjustment possible) and the screed can be worked flushed to the screed scraping edge. With noise decoupling option after screed laying and can be used with system accessories, also for heavy-duty application.



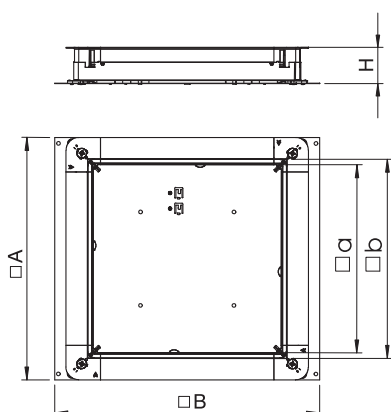
St	Steel
FS	Strip galvanised

Additional product text, instruction | Side walls are prepared for duct widths 190 and 250 mm.

Master data

Item no.	7410030
Type	UZD 250-3
Description 1	Junction and branch box
Description 2	for screed height 70-125mm
Dimension	410x367x70
Material	Steel
Material symbol	St
Surface	Strip galvanised
Surface to DIN	DIN EN 10346
Surface symbol	FS
Smallest sales unit (VG)	1,00 Piece
Weight	420,00 kg/100 pc.

Technical data



Dimension A	367,00 mm
Dimension B	410,00 mm
Dimension a	262,00 mm
Dimension b	283,00 mm
Dimension	367 x 410 x 70 mm
Floor plate	<input checked="" type="checkbox"/>
Cover version	Universal
Seal installation option	<input checked="" type="checkbox"/>
Installation space	6,09 - 11,63 dm ³
Installation opening for on-floor tank	<input type="checkbox"/>
Decouplable	<input checked="" type="checkbox"/>
Screed height	70-125 mm
For pipe connection	<input type="checkbox"/>

Technical data sheet

UZD250-3 for screed height 70–125 mm

Item no. 7410030



Technical data

Suitable for screed-flush closed underfloor ducts	<input type="checkbox"/>
Suitable for screed-covered underfloor ducts	<input checked="" type="checkbox"/>
Suitable for underfloor ducts	<input type="checkbox"/>
Duct width	190,00 - 250,00 mm
Trunking height	28,00 - 48,00 mm
Minimum screed height	70,00
Nominal size	250,00 mm
Height-adjustment range	70,00 - 125,00 mm